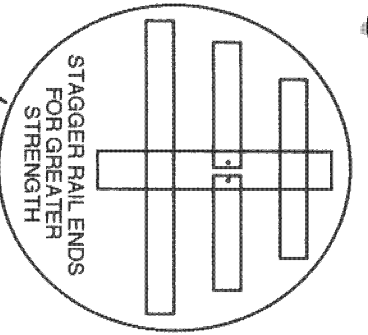


INSTALLATION INSTRUCTIONS

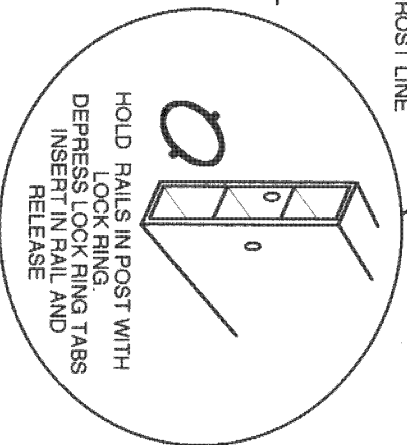
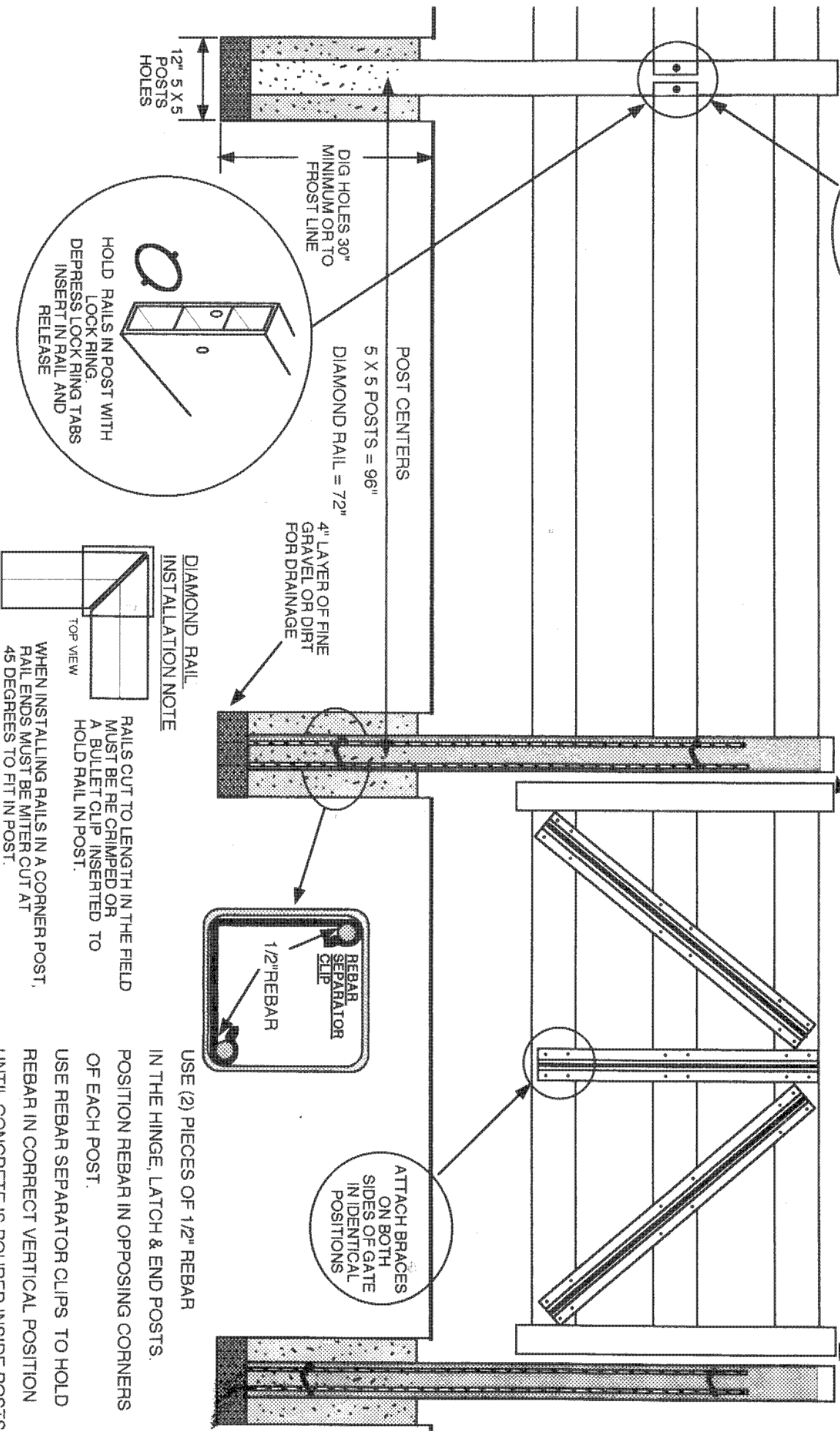
INCLUDE

- POST & RAIL
- CROSSBUCK
- DIAMOND RAIL



POST & RAIL FENCE

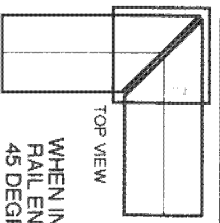
ALLOW 1 1/2" GAP ON HINGE SIDE OF GATE AND 1 1/4" ON LATCH SIDE OF GATE HARDWARE



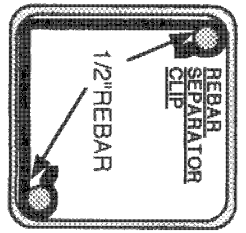
POST CENTERS
5 X 5 POSTS = 96"
DIAMOND RAIL = 72"

4" LAYER OF FINE GRAVEL OR DIRT FOR DRAINAGE

DIAMOND RAIL INSTALLATION NOTE



RAILS CUT TO LENGTH IN THE FIELD MUST BE RE-CRIMPED OR A BULLET CLIP INSERTED TO HOLD RAIL IN POST.
WHEN INSTALLING RAILS IN A CORNER POST, RAIL ENDS MUST BE MITER CUT AT 45 DEGREES TO FIT IN POST.



ATTACH BRACES ON BOTH SIDES OF GATE IN IDENTICAL POSITIONS

USE (2) PIECES OF 1/2" REBAR IN THE HINGE, LATCH & END POSTS. POSITION REBAR IN OPPOSING CORNERS OF EACH POST.
USE REBAR SEPARATOR CLIPS TO HOLD REBAR IN CORRECT VERTICAL POSITION UNTIL CONCRETE IS POURED INSIDE POSTS

INSTALLATION INSTRUCTIONS

POST & RAIL FENCE

1 LAY OUT FENCE LINE

CHECK FOR BURIED UTILITY LINES. STAKE OUT FENCE LINE. DETERMINE GATE LOCATION(S) & ROUGH OPENING SIZE. ALLOW 1 1/2" GAP ON HINGE SIDE OF GATE AND 1 1/4" ON LATCH SIDE FOR HARDWARE. LOCATE POST LOCATIONS. POST CENTERS FOR 5 X 5 POSTS 96" DIAMOND RAIL = 72" DETERMINE NON STANDARD FENCE SECTIONS DUE TO TERRAIN CHANGE

2 ASSEMBLE GATES

ASSEMBLE GATE TO DETERMINE EXACT WIDTH OF GATE OPENING. DETERMINE GATE SWING AND ALLOWANCE FOR GROUND CLEARANCE. CONSULT GATE ASSEMBLY INSTRUCTIONS FOUND IN GATE HARDWARE PACKAGE FOR DETAILED INSTRUCTIONS. HINGE AND LATCH POST **MUST** BE INSTALLED WITH CONCRETE AND 2 PIECES OF 1/2" REBAR INSIDE THE POST.

3 DIG HOLES

DIG HOLES 30" DEEP OR TO FROST LINE. HOLE SIZE FOR 5 X 5 POSTS = 12" CLEAN HOLES AND CHECK FOR STRAIGHT WALLS.

4 INSTALL FIRST POST

PLACE A 4" LAYER OF FINE GRAVEL OR DIRT IN THE HOLE FOR DRAINAGE. INSERT POST IN HOLE. DETERMINE ROUGH HEIGHT. FILL HOLE AROUND POST WITH CONCRETE MIX (SAND, GRAVEL & CEMENT) APPROX 2" BELOW GRADE. TAMP CONCRETE IN HOLE TO ELIMINATE AIR POCKETS. LEVEL AND SQUARE POST. FENCE MAY BE INSTALLED POST AND BOTTOM RAILS FIRST, THEN UPPER RAILS.

5 PREPARE RAILS

TAPE THE ENDS OF ANY RAIL BEING INSERTED IN A POST TO BE FILLED WITH CONCRETE. RAILS ARE SUPPLIED IN 16 FOOT LENGTHS. RAILS MAY NEED TO BE CUT TO 95 1/2" FOR ROLLING TERRAIN. STAGGER RAIL ENDS INSIDE POSTS. CUT ONE RAIL TO 95 1/2". DRILL A 3/8" HOLE IN ANY FIELD CUT RAIL TO ACCEPT LOCK RINGS. DEPRESS LOCK RING TABS, INSERT IN RAIL END AND RELEASE. TABS WILL HOLD RAIL IN POST.

6 INSTALL BOTTOM RAIL

INSERT BOTTOM RAIL IN FIRST POST. IF BOTTOM RAIL IS 16' LONG, INSERT RAIL THROUGH 2ND POST FIRST. INSERT LOCK RING IN RAIL END, INSERT IN 3RD POST. INSERT LOCK RING IN OTHER END OF RAIL. INSERT RAIL IN FIRST POST. WHEN INSTALLING RAILS LEAVE A 1" GAP BETWEEN RAIL ENDS. INSIDE POST TO ALLOW FOR EXPANSION

7 INSTALL SECOND POST

INSERT SECOND POST IN HOLE. INSERT BOTTOM RAIL IN POST. BLOCK UP BOTTOM RAIL TO DETERMINE CORRECT FENCE HEIGHT. FILL HOLE AROUND SECOND POST WITH CONCRETE MIX. TAMP. LEVEL AND SQUARE. FENCE ASSEMBLY MAY BE CONTINUED BY INSTALLING ALL BOTTOM RAILS FIRST OR ONE SECTION AT A TIME.

8 SUPPORT & SECURE

LEVEL AND SQUARE FENCE. TO LOWER A POST PLACE A PIECE OF WOOD, LARGER THAN THE POST ON TOP OF THE POST AND CAREFULLY TAP WITH A MALLET. NEVER STRIKE THE P V C POST WITHOUT A WOOD SUPPORT.

9 HANG GATE INSTALL HARDWARE

POSITION GATE BETWEEN POSTS. ALLOW FOR 1 1/2" GAP ON HINGE SIDE OF THE GATE AND 1 1/4" ON LATCH SIDE TO ALLOW FOR GATE SWING AND HARDWARE. BLOCK UP GATE TO SQUARE WITH FENCE. RAILS SHOULD BE LEVEL. GATE HARDWARE MUST BE MOUNTED TO TWO SIDES OF THE POST. FOR COMPLETE DETAILS SEE GATE INSTALLATION INSTRUCTIONS IN HARDWARE BOX.

10 LOCATE REBAR

USE AND PLACEMENT OF REBAR IS CRITICAL FOR THE STRENGTH AND QUALITY OF A FENCE INSTALLATION. USE 2 PIECES OF 1/2" REBAR IN EACH HINGE, LATCH AND ENDPPOST. REBAR SHOULD EXTEND FROM THE BOTTOM OF THE HOLE TO 12" FROM THE TOP OF THE POST. CONNECT REBAR TOGETHER WITH REBAR SEPARATOR CLIPS. INSERT IN OPPOSING CORNERS OF POST.

11 FILL POSTS

FILL POST WITH CONCRETE MIX TO COVER REBAR AND HARDWARE FASTENERS. TAMP POST WITH A RUBBER MALLET TO ELIMINATE AIR POCKETS. LEAVE GATE ON BLOCKS FOR 72 HOURS TO ALLOW CONCRETE TO SET.

12 INSTALL CAPS

INSTALL POST CAPS.

NOTE

DIAMOND RAIL RAILS ARE SUPPLIED IN 6' & 12' LENGTHS POST CENTERS WILL BE 72"